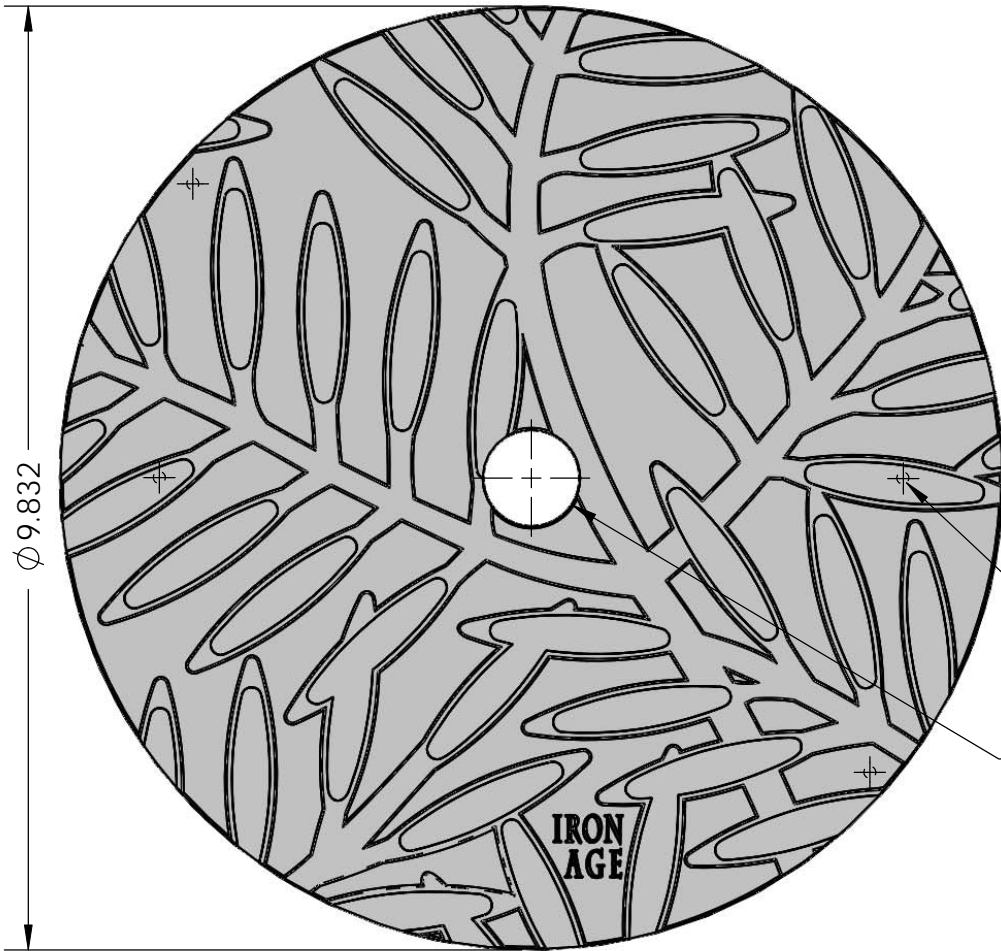
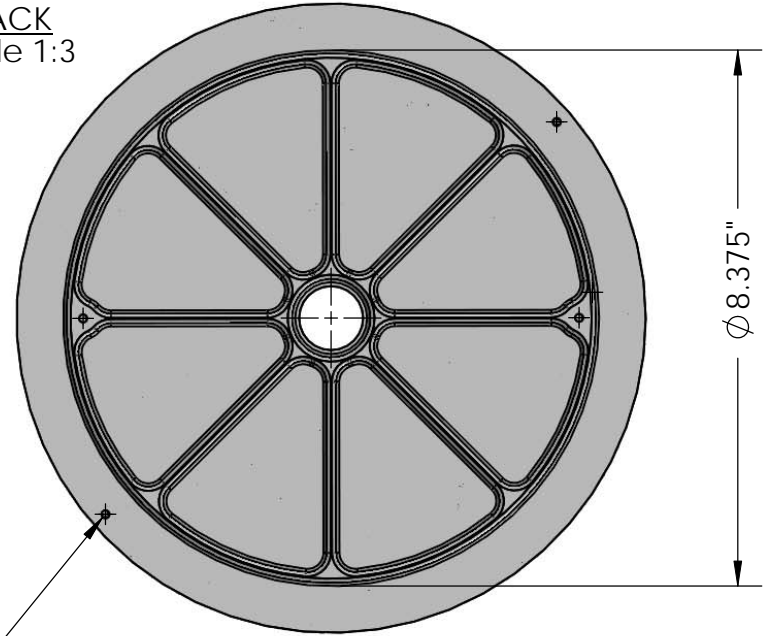


TOP
scale 1:2

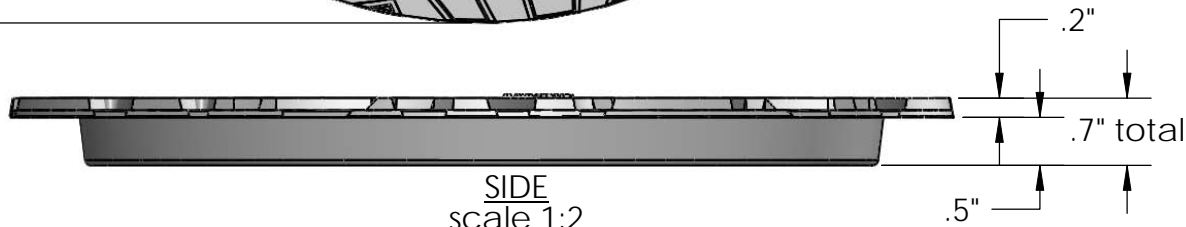


BACK
scale 1:3

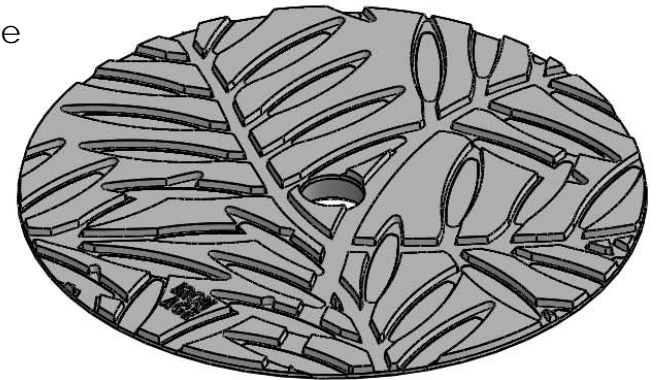


(4X) drill point - on rear - to locate bold down holes

1" Ø pick hole



SIDE
scale 1:2



ISOMETRIC
scale 1:3

IRON AGE 2104 SW 152nd st #4 TEL 206.276.0925
DESIGNS Burién, WA 98166 FAX 206.257.0318
 www.ironagedesigns.com

Locust 10" skimmer lid

Drawn by: CD
Date: 11/15/10
Scale: NTS

DWG. NO. LOC.SKIM.10"dia

NOTES:

1. Material: cast bronze
2. Finish: natural
3. Replaces skimmer lid manufactured by HAYWARD™ (part no. SP-1084-RI) & STA-RIGHT™ (part no. 8650-58)
4. Due to casting inconsistencies all dimensions are nominal

patent pending © 2010 Iron Age Designs