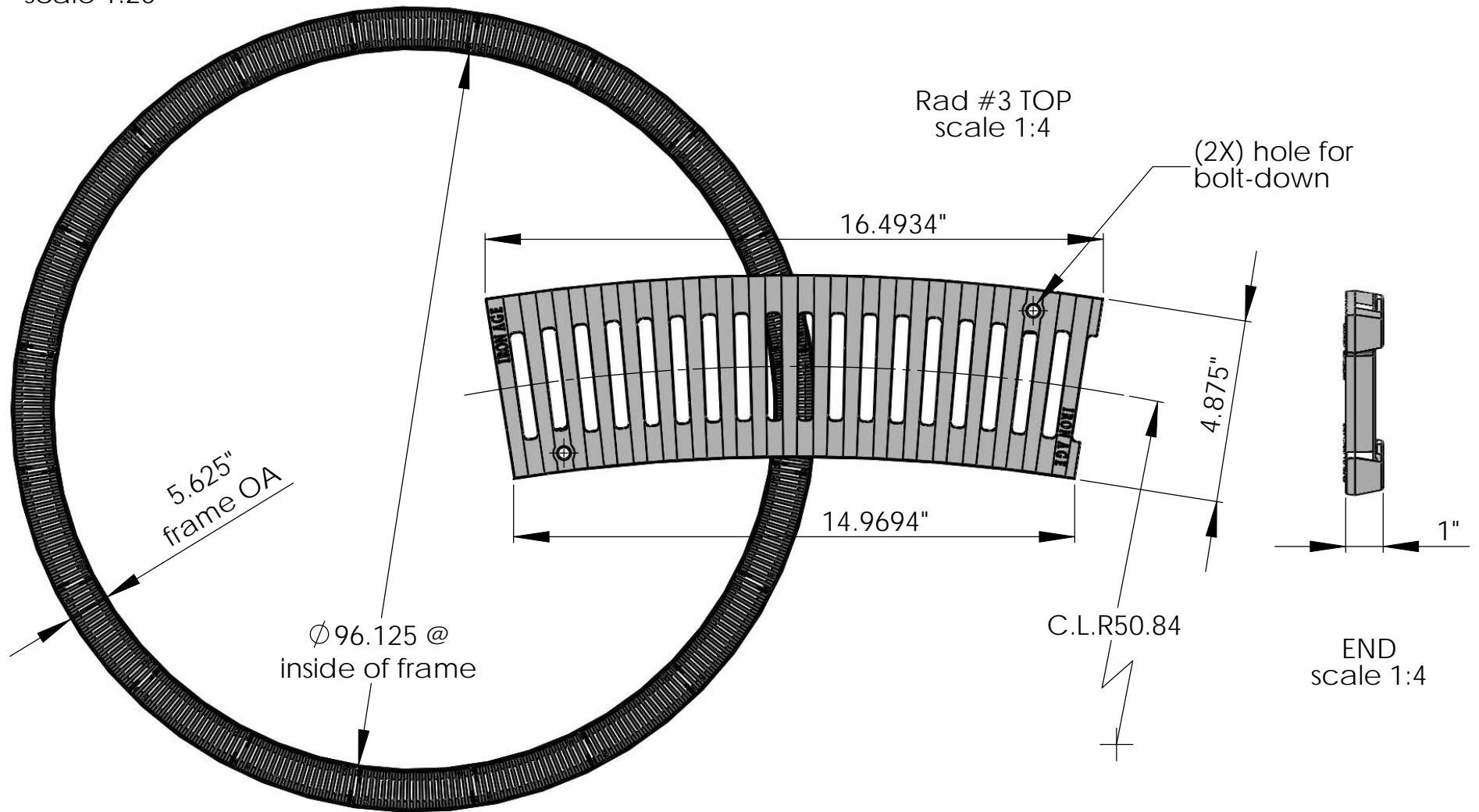


20 CASTINGS arrayed  
scale 1:20



**NOTES:**

1. Material: cast ductile iron
2. Finish: Natural
3. Total Thickness: 1"
4. Fits trench frame manufactured by: Iron Age™
5. No openings greater than: 1/2"
6. Approx. weight <10 lbs.
7. Due to casting inconsistencies all dimensions are nominal

patent pending © 2010 Iron Age Designs

**IRON AGE** 2104 SW 152nd st #4 TEL 206.276.0925  
**DESIGNS** Burien, WA 98166 FAX 206.257.0318  
 www.ironagedesigns.com

Rad. Joe 5"x17" Rad #3 (4'@CL)  
 Drawn by: CD  
 JOB NO. 090929SG Date: 2/12/10  
 DWG. NO. 03-JOE.I.5x17CLR4' Scale: NTS